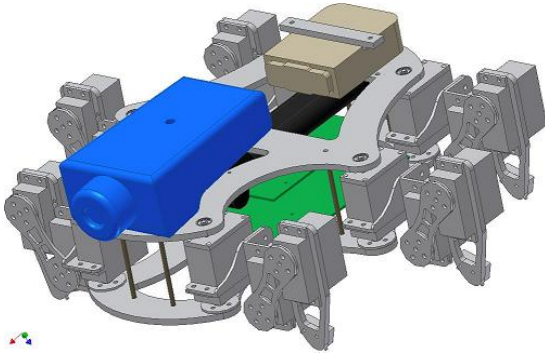


Mechanical Design

Written by Krzysztof

Wednesday, 02 February 2011 16:44 - Last Updated Wednesday, 02 February 2011 16:58

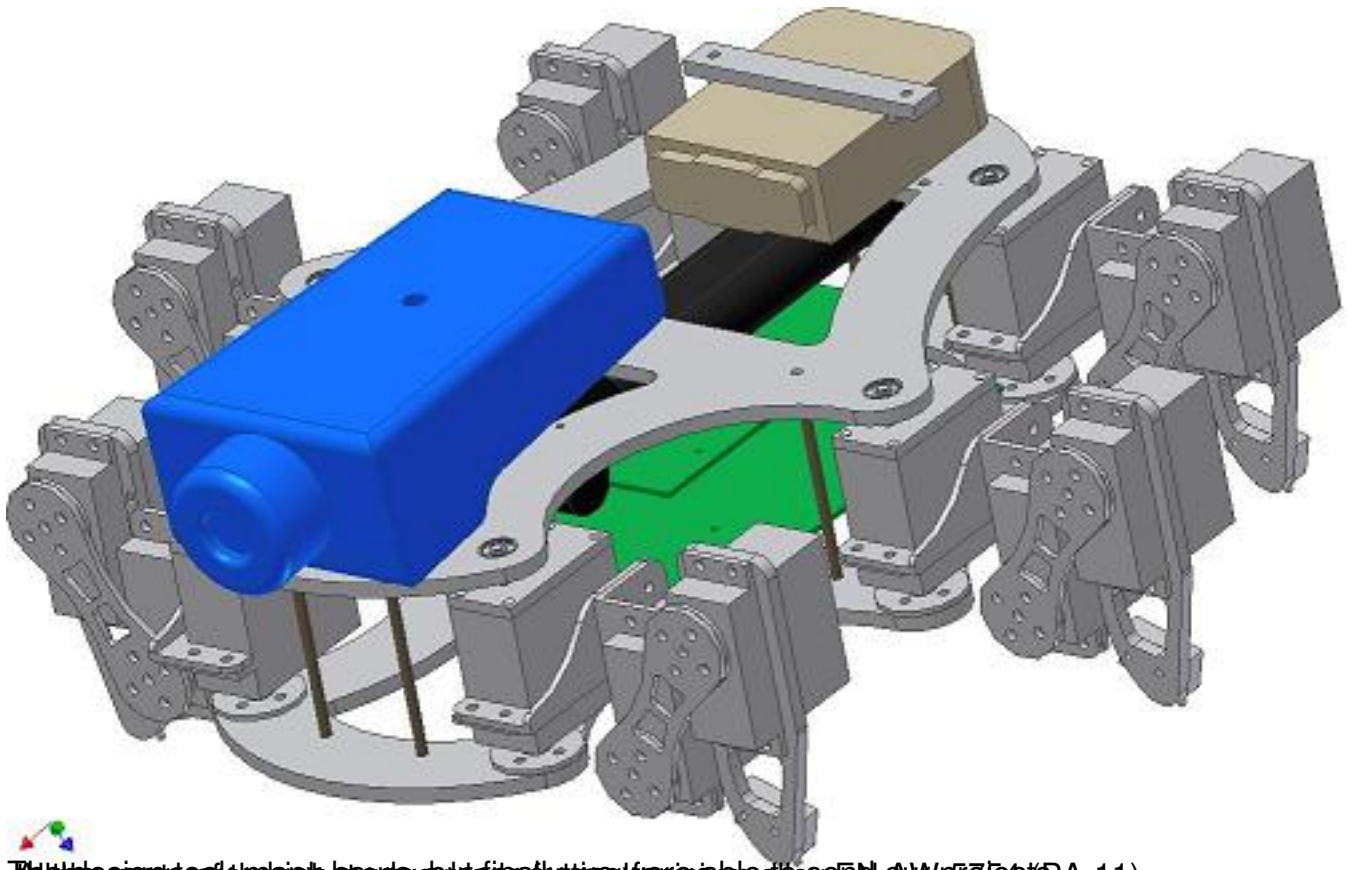
The CAD program was used for the mechanical design.



Mechanical Design

Written by Krzysztof

Wednesday, 02 February 2011 16:44 - Last Updated Wednesday, 02 February 2011 16:58



This is a 3D model of a mechanical assembly. The main component is a blue rectangular block with a circular protrusion on one end. It is mounted on a grey, curved base. Surrounding the base are several grey, complex mechanical linkages and actuators, some of which are connected to a green rectangular component. The assembly is shown in a perspective view.

